

Frame

Table of Contents

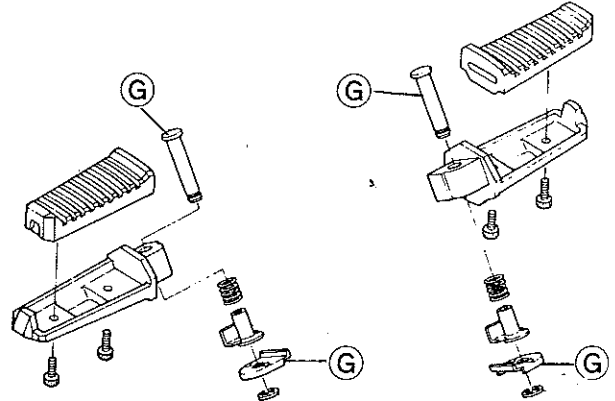
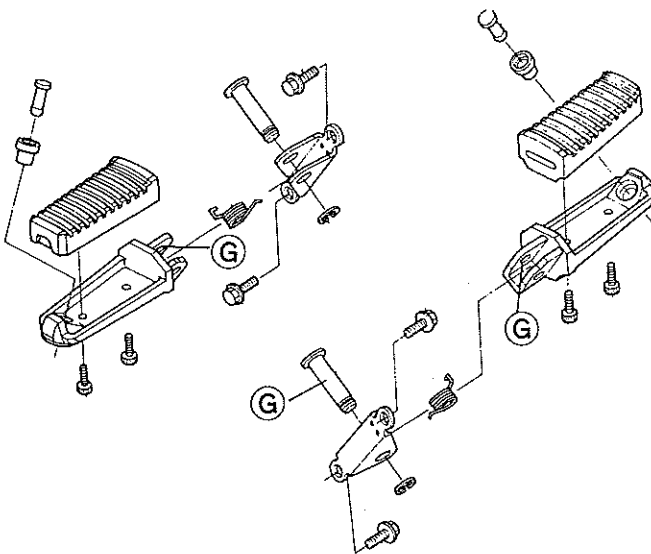
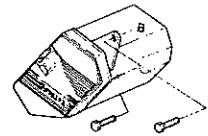
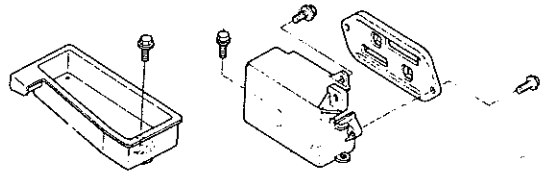
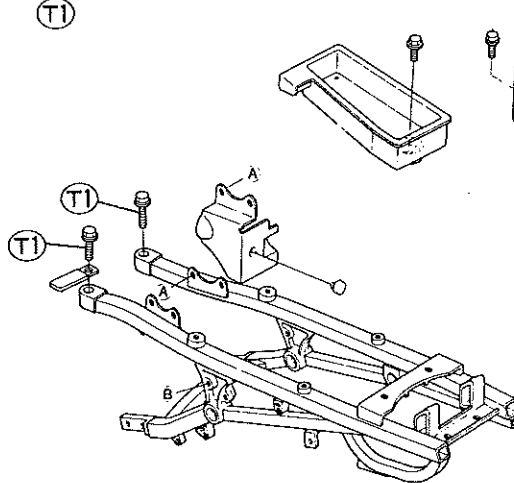
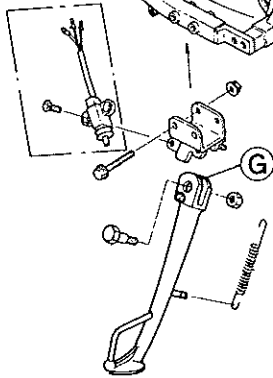
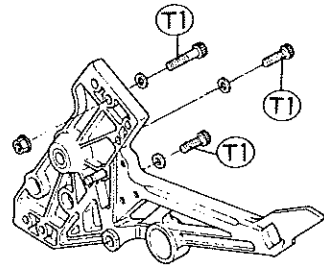
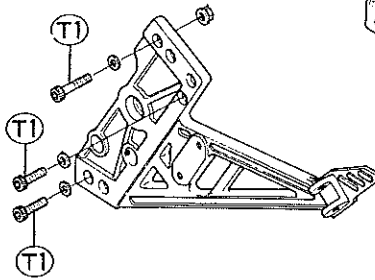
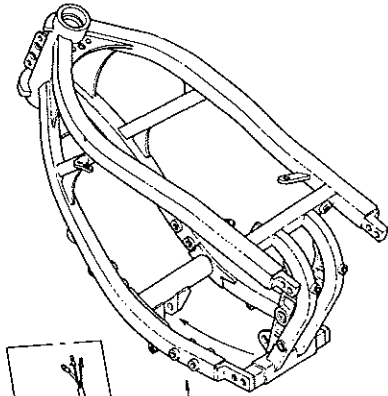
Exploded View	14-2
Rear Frame	14-5
<i>Rear Frame Removal/Installation</i>	14-5
Fenders	14-5
<i>Front Fender Removal</i>	14-5
<i>Seat Cover Removal</i>	14-5
<i>Fender and Seat Cover Installation Caution</i>	14-5
Fairings	14-5
<i>Fairing Removal</i>	14-5
<i>Fairing Installation Note</i>	14-6
<i>Fairing Stay Removal</i>	14-6

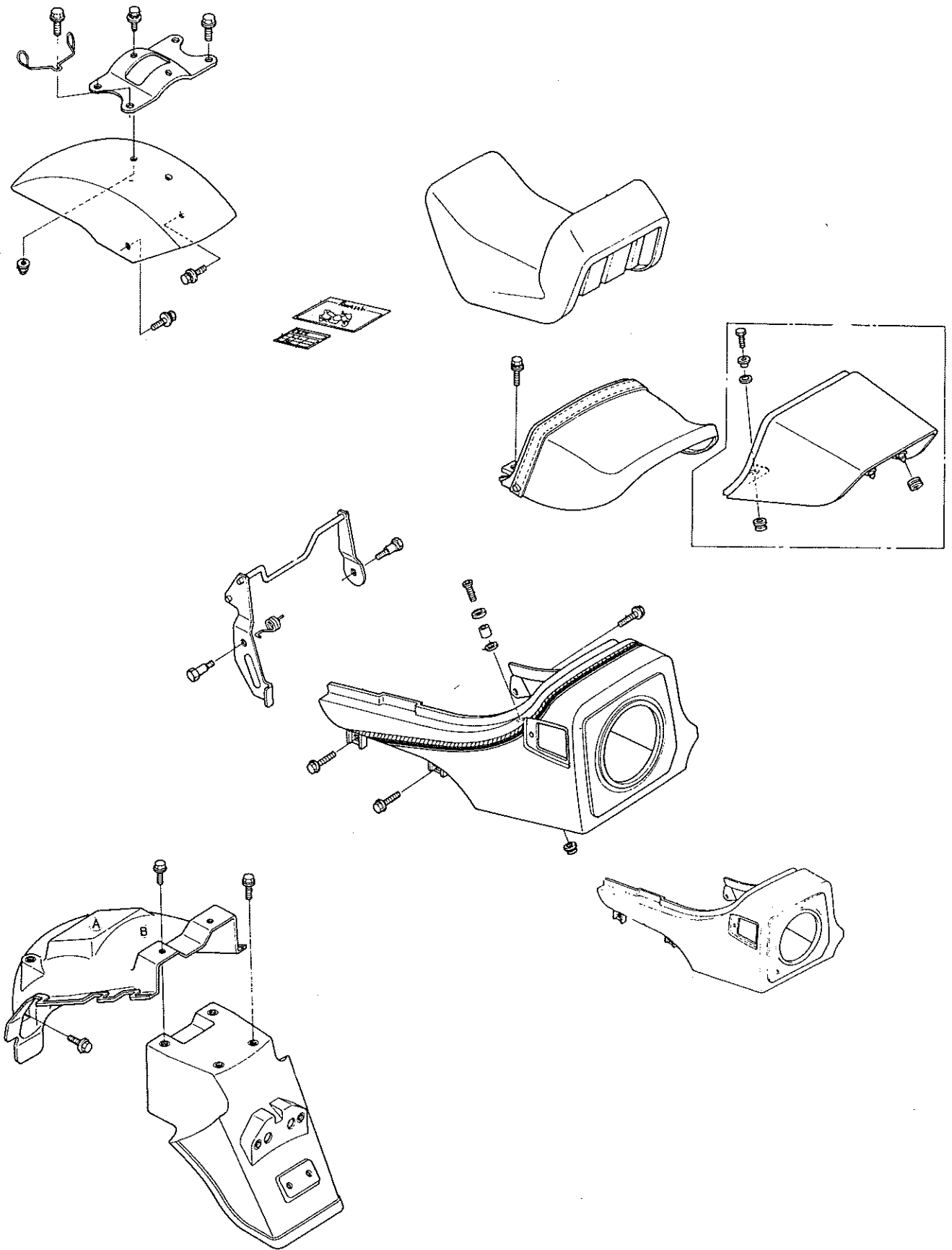
14-2 FRAME

Exploded View

T1: 23 N-m (2.3 kg-m, 16.5 ft-lb)

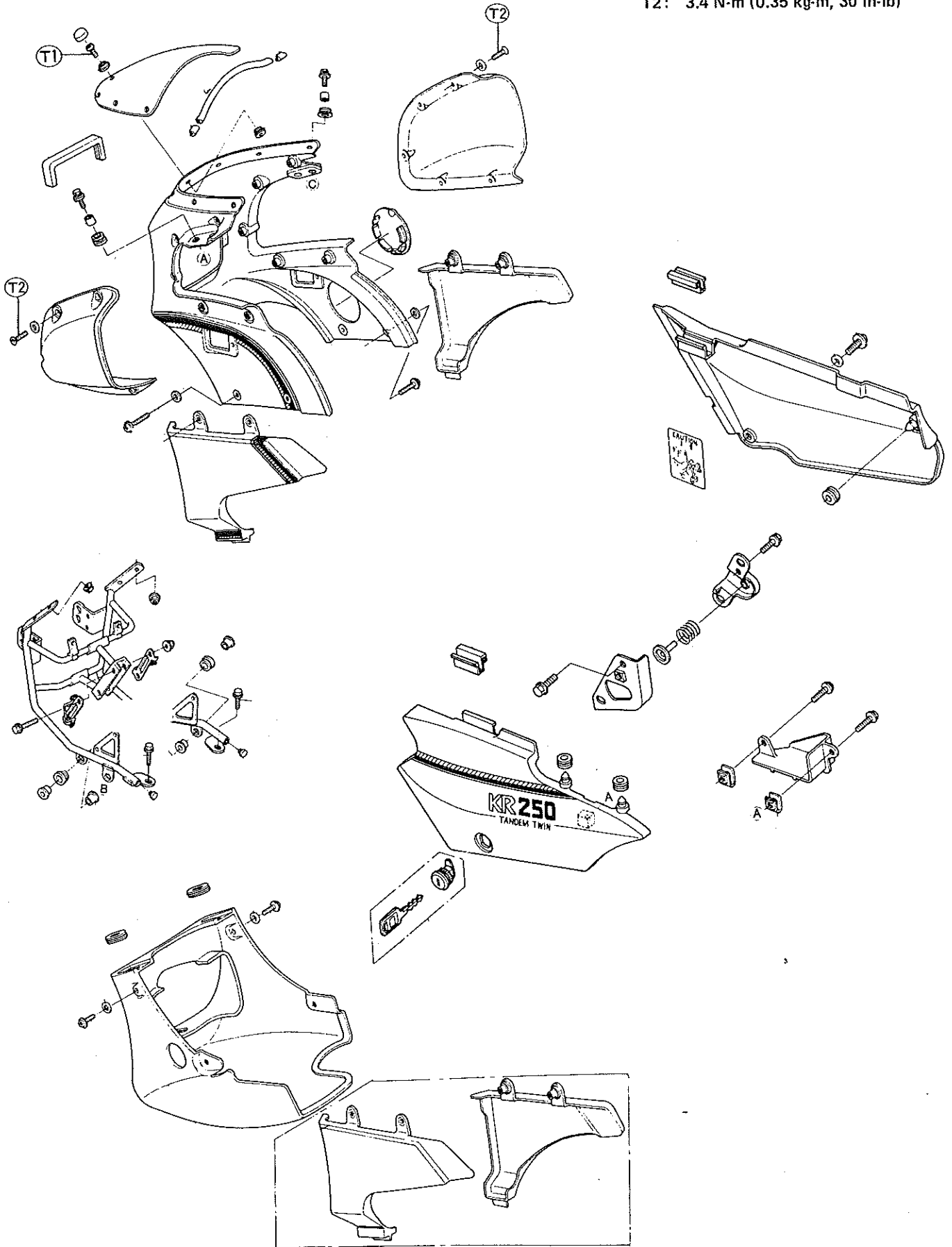
G : Apply grease.





14-4 FRAME

T1: 1.5 N-m (0.15 kg-m, 13 in-lb)
T2: 3.4 N-m (0.35 kg-m, 30 in-lb)



.....
Rear Frame

Rear Frame Removal/Installation

○ See Rear Muffler Removal/Installation in Engine Top End chapter.

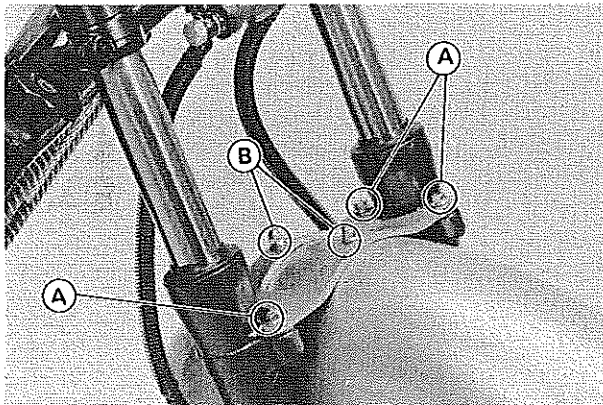
.....
Fenders

Front Fender Removal

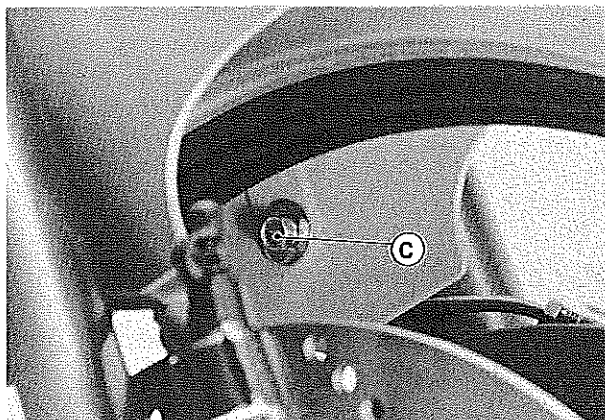
NOTE

○ It is necessary to remove the front wheel for the front fender removal.

- Remove the front wheel (see Wheel/Tires chapter).
- Remove the following bolts and nuts.



A. Bolts (4)
 B. Bolts and Nuts

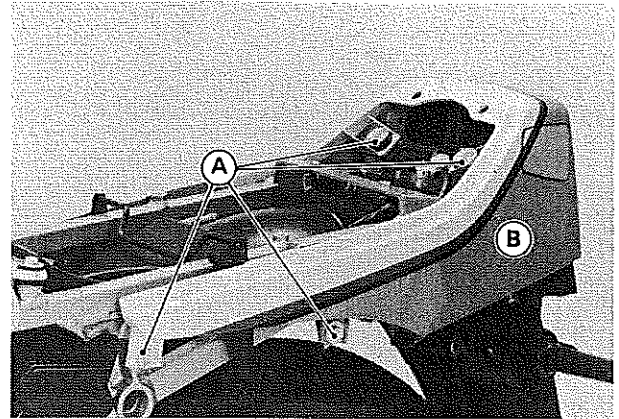


C. Bolts (2)

- Take off the front fender.

Seat Cover Removal

- Remove the rear seat.
- Pull off the connectors (tail light).
- Remove the following bolts.



A. Bolts B. Seat Cover

- Take off the seat cover.

Fender and Seat Cover Installation Caution

CAUTION

○ Tighten adequately the mounting screws and bolts to prevent damage to plastic fenders and seat cover.

.....
Fairings

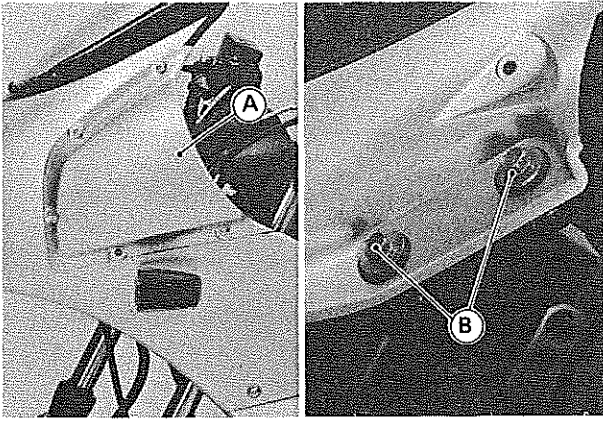
Fairing Removal

NOTE

○ Remove the fairings in sequence, lower, middle, and upper.

- After taking off the upper fairing covers, remove the upper fairing mounting bolts and nuts.

14-6 FRAME



A. Fairing Cover B. Mounting Bolts and Nuts

- Pull off the connectors (front turn signal light).
- Take off the upper fairing.

CAUTION

- When removing the upper fairing, be careful not to damage the inside surface of the windshield.

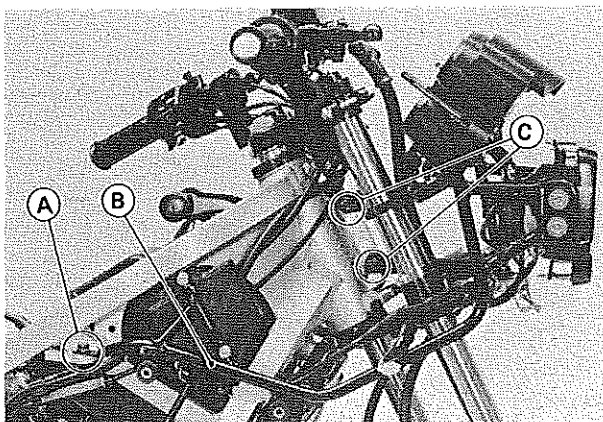
Fairing Installation Note

CAUTION

- Tighten adequately the mounting screws and bolts to prevent damage to plastic fairings.

Fairing Stay Removal

- Pull off the following connectors.
 - Meter connectors
 - CDI unit connectors
 - LH and RH switch connectors
- Remove the fairing stay by taking off the mounting bolts and nuts.



A. Mounting Bolts (left and right)
B. Fairing Stay
C. Mounting Bolts and Nuts